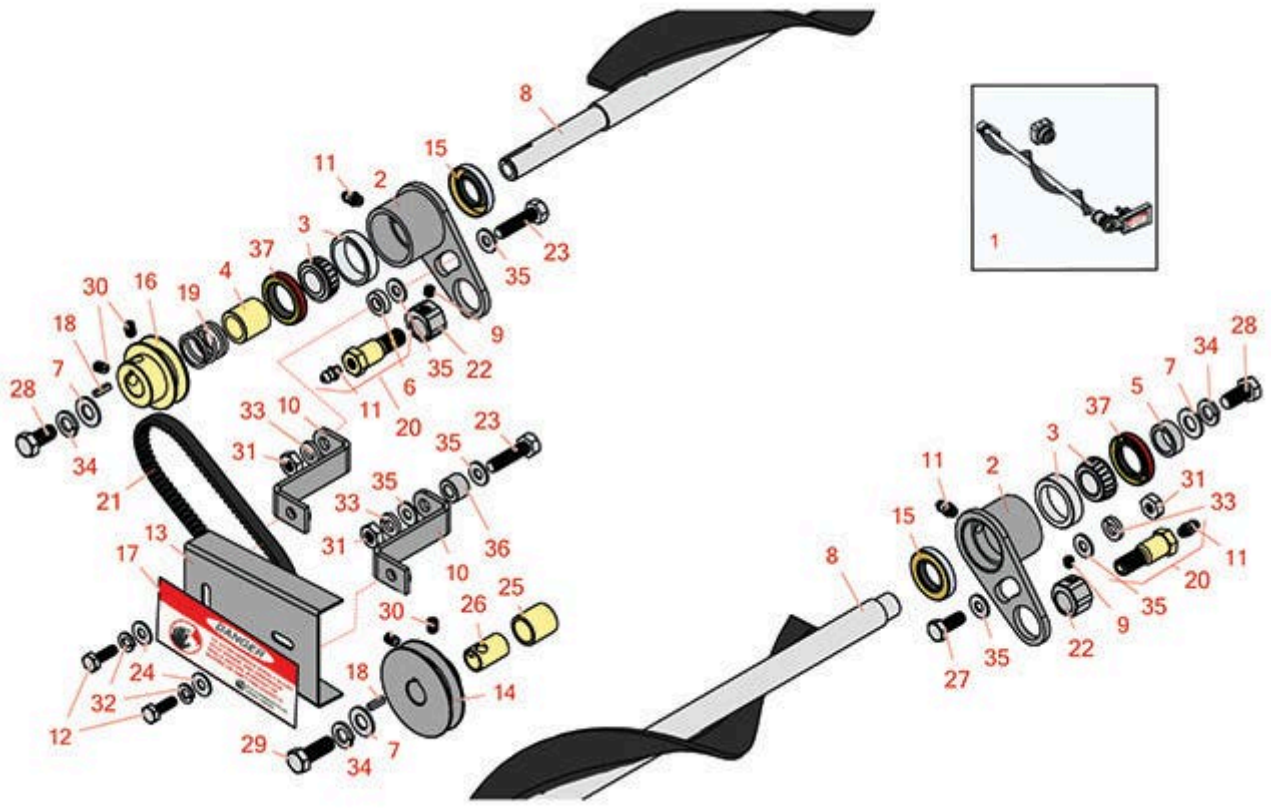




Replaces Jacobsen Greens King IV Parts

Cutting Unit
Rear Spiral Brush



All original equipment manufacturers names and part numbers are used for identification purposes only, and we are in no way implying that our products are original equipment parts. Prices subject to change without notice.



Replaces Jacobsen Greens King IV Parts

Cutting Unit
Rear Spiral Brush



Item No	R&R Part No.	OEM Part No.	Description	Qty Req	Order Quantity
---------	--------------	--------------	-------------	---------	----------------

Complete Spiral Brush Kit

1	R101340	101340	Kit - Rear Roller Spiral Brush	1	
---	----------------	--------	--------------------------------	---	--

Tech Note: Includes all parts for one unit with R162558 or R239055 bearing housings with 1/2" or 5/8" reel shafts.:

Other Parts Available

2	R101248		Housing - Bearing Spiral Brush	2	
---	----------------	--	--------------------------------	---	--

3	R503392	503392	Tapered Bearing Set - Cup and Cone	2	
---	----------------	--------	------------------------------------	---	--

4	R101346		Spacer - 7/8	1	
---	----------------	--	--------------	---	--

Tech Note: Use with Square Bearing Housing Only (1/2" Dia. Reel Shaft):

4	R365294	365294	Spacer - 1-1/8 Long	1	
---	----------------	--------	---------------------	---	--

Tech Note: Use with Round Bearing Housing Only (5/8" Dia. Reel Shaft):

5	R101347		Spacer - 5/16	1	
---	----------------	--	---------------	---	--

7	R453011	453011	Washer - Flat 3/8 SAE Y/Zinc	3	
---	----------------	--------	------------------------------	---	--

8	R132216	132216, 5002463	Brush - Spiral w/Shaft	1	
---	----------------	--------------------	------------------------	---	--

9	R150690	150690, 415509	Screw - Set 1/4-20 x 1/4	2	
---	----------------	-------------------	--------------------------	---	--

10	R163770	163770	Brace - Spiral Brush Shield	2	
----	----------------	--------	-----------------------------	---	--

11	R302-5	302-5, 471214, 471223, 471226	Fitting - Grease	4	
----	---------------	--	------------------	---	--

12	R321-4	321-4, 400108	Bolt - Hex HD 1/4-20 x 3/4	2	
----	---------------	------------------	----------------------------	---	--

13	R338348	338348	Shield - Belt Fits Sp Brush Kit	1	
----	----------------	--------	---------------------------------	---	--

14	R338758	338758	Pulley - 5/8 Reel Shaft End	1	
----	----------------	--------	-----------------------------	---	--

All original equipment manufacturers names and part numbers are used for identification purposes only, and we are in no way implying that our products are original equipment parts. Prices subject to change without notice.



Replaces Jacobsen Greens King IV Parts

Cutting Unit
Rear Spiral Brush



Item No	R&R Part No.	OEM Part No.	Description	Qty Req	Order Quantity
15	R338763	338763	Seal	2	
16	R340836	340836	Pulley - Spiral Brush Shaft	1	
17	R354083	354083, 361877, 4127335	Decal - Danger	1	
18	R363016	363016	Key - 1/8 x 1/8 x 1/2	2	
19	R363818	363818	Spring - Fits Sprial Brush	1	
20	R364118	364118	Bolt - Roller Mount - 7/16-20	2	
20	R364118S		Bolt - Roller Mount - 3/8-24	2	
21	R840958	364120, 840958	Belt - Spiral Brush	1	
22	R364121	364121	Nut - Eccentric Adjusting	2	
23	R364171	364171	Bolt - Flanged Hex 5/16-18 x 1-1/4	2	
24	R453023	453023	Washer - Flat 1/4	2	
25	R365295	365295	Spacer - .840 Long	1	
<i>Tech Note: Use with Round Bearing Housing Only (5/8" Dia. Reel Shaft):</i>					
26	R365302	365302	Spacer - Sprial Brush Pulley	1	
<i>Tech Note: Use with Square Bearing Housing Only (1/2" Dia. Reel Shaft):</i>					
27	R400184	400184, 400194	Screw - 5/16-18 x 3/4 Hex	1	
28	R400258	400258	Bolt - Hex HD 3/8-16 x 3/4	2	
29	R400298	400298	Bolt - Hex HD 3/8-24 x 1	1	
30	R415521	415521, 415522	Screw - Set - 5/16-18 x 3/8	4	

All original equipment manufacturers names and part numbers are used for identification purposes only, and we are in no way implying that our products are original equipment parts. Prices subject to change without notice.



Replaces Jacobsen Greens King IV Parts

Cutting Unit
Rear Spiral Brush



Item No	R&R Part No.	OEM Part No.	Description	Qty Req	Order Quantity
31	R443106	443106	Nut - 5/16-18 Y/Zinc Plated	3	
32	R3253-3	3253-3, 446128, 446130	Washer - Lock 1/4	2	
33	R446136	446134, 446136	Washer - Lock 5/16 Zinc	3	
34	R3254-6	3254-6, 446140, 446142	Washer - Lock 3/8	3	
35	R453009	3256-23, 452004, 452006, 452008, 453009	Washer - Flat 5/16 SAE	6	
36	R101349		Spacer - 7/16	1	
<i>Tech Note: Use with Round Bearing Housing Only (5/8" Dia. Reel Shaft):</i>					
36	R101348		Spacer - 3/16	1	
37	R101247		Seal	2	

All original equipment manufacturers names and part numbers are used for identification purposes only, and we are in no way implying that our products are original equipment parts. Prices subject to change without notice.