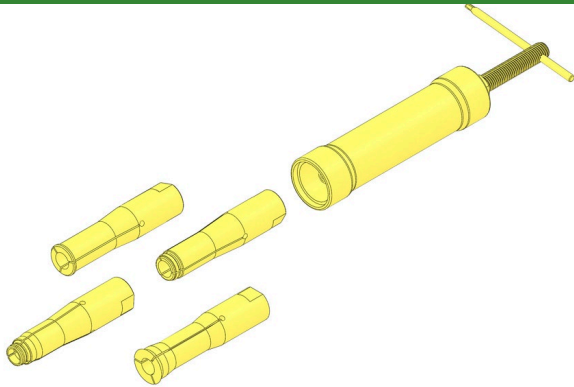




Complete Bearing Puller Set

R244



Details

R&R Products developed a special line of tools to remove tapered bearing races from rollers, gear boxes and the outer ball bearing races left inside roller ends, in case of a catastrophic bearing failure. The R&R Puller contains a mandrel and spreader which secures behind the tapered bearing race or to the inside ball bearing groove. The tube assembly, which contains its own tapered bearing pulling system, is then placed over the mandrel and spreader to easily remove the outer race. Mandrels and spreaders are manufactured by R&R Products from high carbon chromium vanadium steel and heat treated for maximum strength. Complete set includes one outer puller tube and one each of all expanding puller tubes: R226, R227, R232, R233, R234, R236, 237, R241

Specifications

| | |
|--------------|--------------|
| Manufacturer | R&R Products |
|--------------|--------------|

Replacement Parts

| | |
|------|--|
| R226 | Expanding Puller Tube Only - Fits R225 |
| R227 | Spreader Mandrel - Hardened |
| R232 | Expanding Puller Tube Only - Fits R230 |
| R233 | Bearing Puller Nut - Hardened |
| R234 | Handle - Spreader Mandrel |
| R236 | Expanding Puller Tube Only - Fits R235 |
| R237 | Outer Puller Tube Assy Only - 9-1/4 in |
| R238 | Washer - Fits R230 Puller |

Krima Trading AB

Stene 710 Kumla, 692 93

+46 19 57 35 20

<https://krima.rproducts.com/>



Complete Bearing Puller Set

R244



R241

Expanding Puller Tube
Only - Fits R240

R243

Expanding Puller Tube
Only - Fits R242

Krima Trading AB

Stene 710 Kumla, 692 93

+46 19 57 35 20

<https://krima.rrproducts.com/>