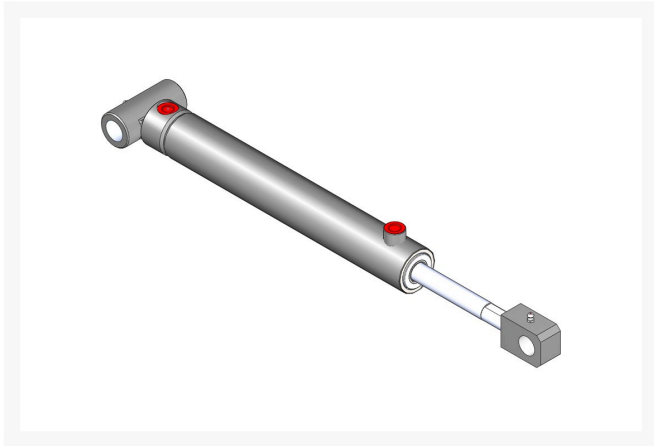




Hydraulic Cylinder

R163217



Replaces

Jacobsen 163217

Specifications

Manufacturer R&R Products

Fits Models

Jacobsen Ram Lift
R&R Products Power Lift 5133GD
R&R Products Power Lift 7180GD

Replacement Parts

R302-5 Fitting - Grease
R503067 Seal Kit - Fits R163217
Cyl

Krima Trading AB

Stene 710 Kumla, 692 93

+46 19 57 35 20

<https://krima.rrproducts.com/>