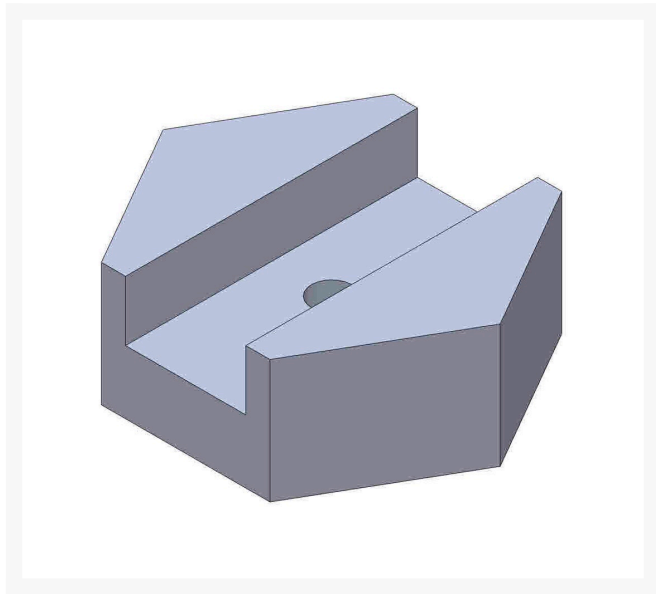




Orifice - Rear .070 Front Lift Cyl

RMT6384



Replaces

John Deere MT6384

Specifications

Manufacturer R&R Products

Fits Models

John Deere 2500 Riding Greens Mower
John Deere 2500A Riding Greens Mower
John Deere 2500B Riding Greens Mower
John Deere 2500E Riding Greens Mower
John Deere 2500E Hybrid Riding Greens Mower

Krima Trading AB

Stene 710 Kumla, 692 93

+46 19 57 35 20

<https://krima.rrproducts.com/>