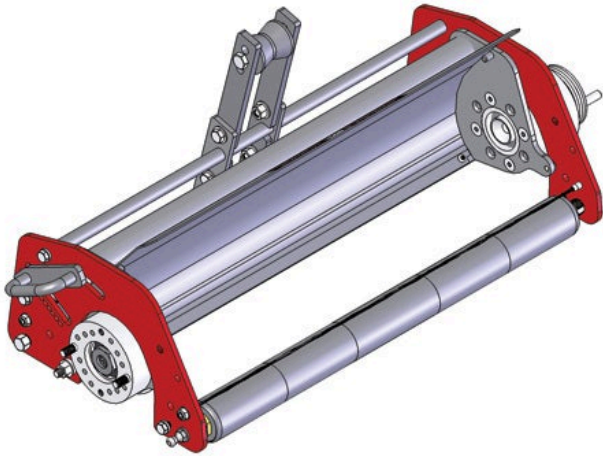




# Multi-Green Chassis Assy - RH

RMG4001RH



## Details

Chassis to fit Toro Greensmaster.  
Complete Multi-Green chassis include frame, bearing housings, front & rear smooth roller. Multi-Green Cassette not included.

## Specifications

Manufacturer R&R Products

## Fits Models

R&R Products Multi-Green Units

## Replacement Parts

R101327	Stud - Housing
R6040-05-230	Drive Coupling w/Pin RH
R93-1394	Nut - Splined RH Thrd .812 Long



**Krima Trading AB**

Stene 710 Kumla, 692 93

+46 19 57 35 20

<https://krima.rrproducts.com/>