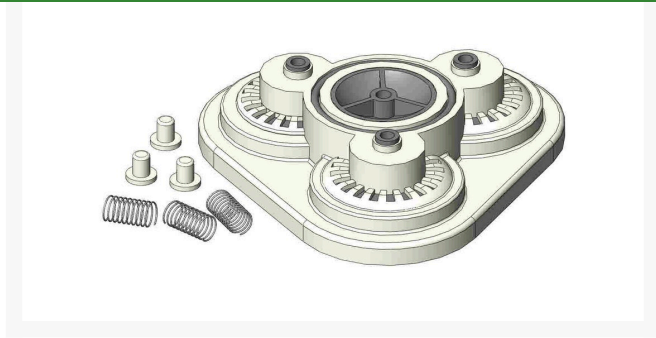




Shurflo Bypass Valve Assembly

RHY94-391-09



Specifications

Manufacturer

Pentair Shurflo

Manufacturer's

94-391-09

Model No

Krima Trading AB

Stene 710 Kumla, 692 93

+46 19 57 35 20

<https://krima.rrproducts.com/>