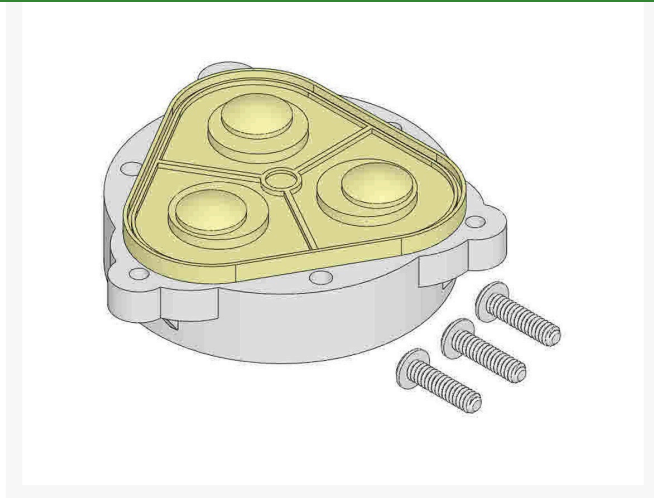




Shurflo Diaphragm w/Drive Housing - New Style

RHY94-385-32



Specifications

Manufacturer	Pentair Shurflo
Manufacturer's Model No	94-385-32

Krima Trading AB

Stene 710 Kumla, 692 93

+46 19 57 35 20

<https://krima.rrproducts.com/>