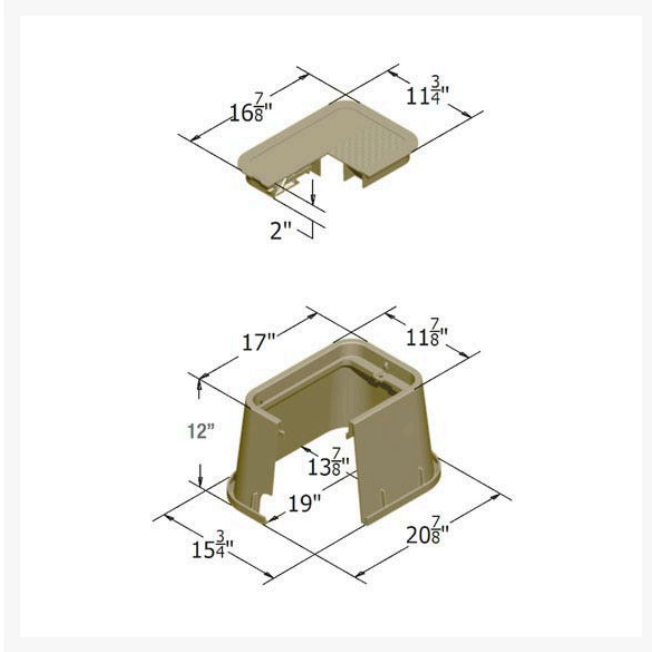




Carson Valve Box w/Lid 1419-12 Spec Grade - Tan ICV Hblt RGC14191039



Details

The popular Carson 1419 standard Specification Grade box offers a wide-range of lid and color options, as well as flared boxes and a 6" standard extension. Side wall rigidity offers easy field modifications. Features include heavy-duty seat collar, structural foam manufacturing process, HDPE (high-density polyethylene) construction, UV inhibitors. Drop-N-Lock, multiple lock options, and 6" extension available. In Green, Gray, Black, Tan and Purple. Made in USA.

Specifications

Manufacturer	Carson
Valve Box Depth	12 in

Krima Trading AB

Stene 710 Kumla, 692 93

+46 19 57 35 20

<https://krima.rproducts.com/>