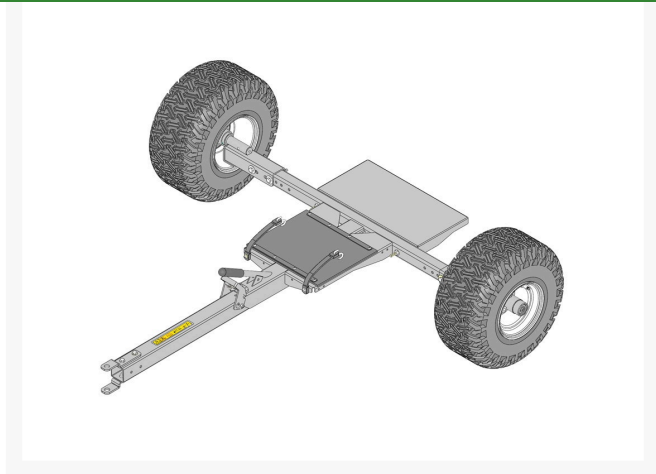
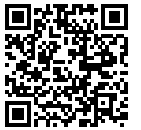




Frame Assy - Black

R04238B



Details

Load capacity: 400 lbs. (181.6 kg) (includes trailer weight) Suspension: Low pressure tires (20 x 10-8) Transport Speed: 15 mph (24 km/h) maximum speed Hitch: Equipped with pin-type hitch as standard equipment Towing: Tow with utility vehicle Finish: Powder-coated paint. Black. Axles: Heavy-duty stub wheel spindle. Greasable. Dimensions: Height 19" (48.3 cm) Width 68" (157.5 cm) Length 81" (205.7 cm)

- Low pressure tires (20 x 10-8)
- 15 mph maximum transport speed
- Secure loading ramp with safety latch for transport
- Pin-type hitch standard
- Tow with any utility vehicle
- Powder-coated black paint
- Heavy-duty greasable stub wheel spindle

Specifications

| | |
|--------------|-----------------|
| Manufacturer | R&R Products |
| Height | 20 in (48.3 cm) |
| Length | 81 in |
| Width | 68 in (157.5cm) |

Replacement Parts

| | |
|------------|---------------------------|
| R105-9928B | Spindle Assy - Black |
| R106-4671 | Latch |
| R106-4675B | Tongue - Trailer - Black |
| R106-5360 | Rubber Mat - Front Roller |
| R106-5366B | Frame Assy - Black |
| R106-5384 | Strip - Roller Mat |
| R106-8459 | Rubber Strap |
| R150317 | Latch Assy |

Krima Trading AB

Stene 710 Kumla, 692 93
+46 19 57 35 20

<https://krima.rrproducts.com/>



Frame Assy - Black

R04238B



| | |
|------------|---|
| R150318 | Hardware - Misc |
| R150324 | Plate - Trailer |
| R217-60 | Wheel - with Valve Stem - White |
| R297-1 | Screw - Button HD Socket 3/4 |
| R301504 | Locknut - ESNA 1/4-20 |
| R316797 | Bolt - 1/4-20 x 1-1/4 |
| R32128-32 | Locknut - 1/4-20 Flanged |
| R323-15 | Bolt - Hex HD 3/8-16 x 3-1/2 GR5 |
| R3231-2 | Bolt - Carriage 3/8-16 x 1 |
| R3256-22 | Washer - Flat 1/4 Yellow |
| R453011 | Washer - Flat 3/8 SAE Y/Zinc |
| R98-8690 | Hub Assy - Trailer |
| RCT5111011 | Tire - 20x10.00-8 Nhs (2 Ply) Carlisle Turf Saver |
| RQC1020B | Handle - Upper - Trailer - Blk |
| RQC1021B | Tongue Support - Trailer - Blk |

Krima Trading AB

Stene 710 Kumla, 692 93

+46 19 57 35 20

<https://krima.rrproducts.com/>