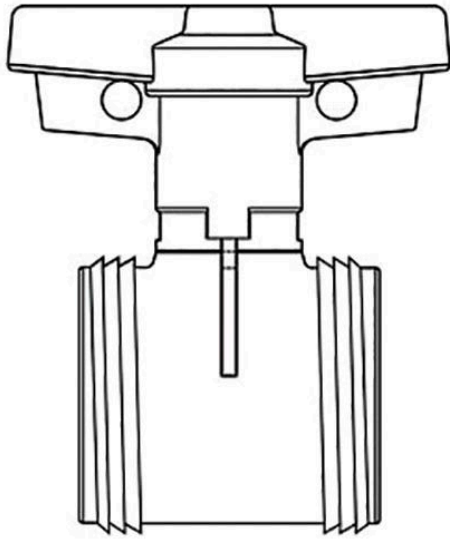




4 PVC True Union Ball Valve Cartridge

Viton

RG2330040



Details

True Union Ball Valve Cartridge Kits include valve assembly, less union nuts and end connectors.

Note: 6" Valve uses Lever-Style Handle for proper leverage. T-Style Handle is more compact, but will increase difficulty of operation.

Specifications

Manufacturer

Spears

Seal Type

Viton

Krima Trading AB

Stene 710 Kumla, 692 93

+46 19 57 35 20

<https://krima.rrproducts.com/>