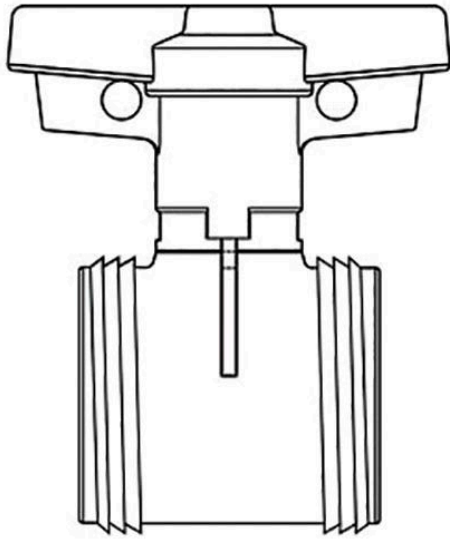




1 PVC True Union Ball Valve Cartridge

Viton

RG2330010



Details

True Union Ball Valve Cartridge Kits include valve assembly, less union nuts and end connectors.

Note: 6" Valve uses Lever-Style Handle for proper leverage. T-Style Handle is more compact, but will increase difficulty of operation.

Specifications

| | |
|--------------|--------|
| Manufacturer | Spears |
| Fitting Size | 1 |
| Seal Type | Viton |

Krima Trading AB

Stene 710 Kumla, 692 93

+46 19 57 35 20

<https://krima.rrproducts.com/>