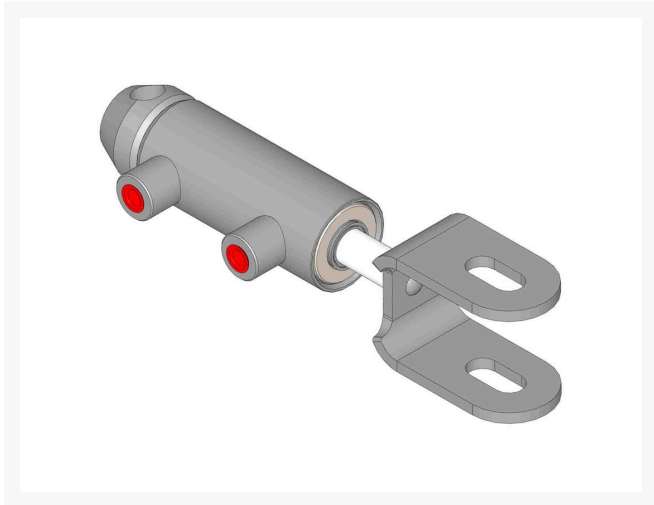




Hydraulic Cylinder - Center Lift

RAMT2493



Replaces

| | |
|--------------|-------------------|
| John Deere | AMT2493, TCA14441 |
| R&R Products | RTCA14441 |

Specifications

| | |
|--------------|--------------|
| Manufacturer | R&R Products |
|--------------|--------------|

Fits Models

John Deere 2500 Riding Greens Mower
John Deere 2500A Riding Greens Mower
John Deere 2500E Riding Greens Mower

Replacement Parts

| | |
|----------|---------------------------------------|
| RAMT2567 | Seal Kit - Fits Hyd Cylinder |
| RMT6035 | Orifice - Front .026 Rear Lift Cyl |
| RMT6036 | Orifice - Rear .031 Rear Lift Cyl |

Krima Trading AB

Stene 710 Kumla, 692 93

+46 19 57 35 20

<https://krima.rproducts.com/>