

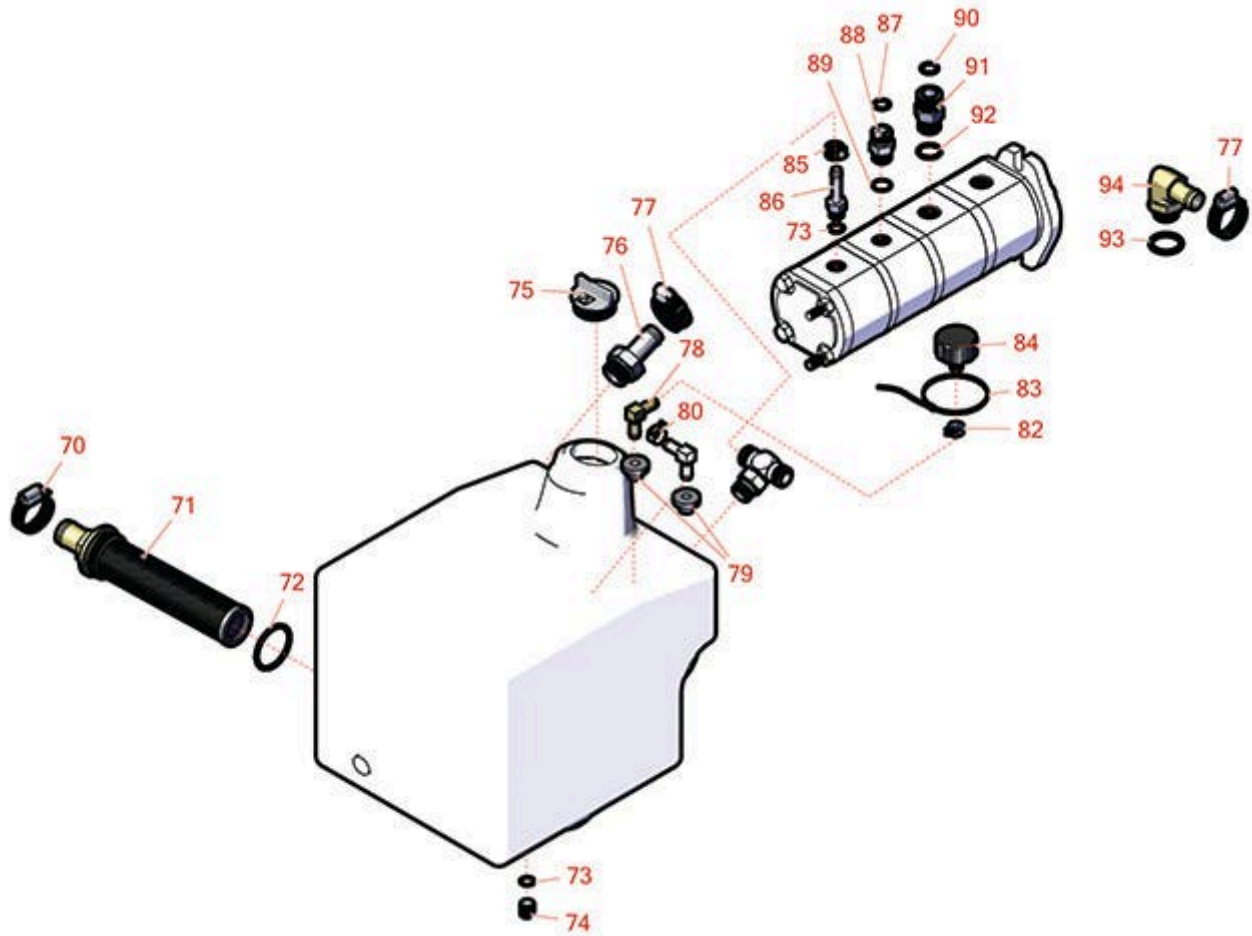
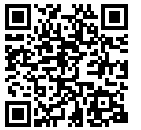


Replaces Toro Groundsmaster 7210

Parts

Zero-Turn Mower with 72in Deck - Model 30364

Hydraulic Assembly



All original equipment manufacturers names and part numbers are used for identification purposes only, and we are in no way implying that our products are original equipment parts. Prices subject to change without notice.



Replaces Toro Groundsmaster 7210

Parts

Zero-Turn Mower with 72in Deck - Model 30364
Hydraulic Assembly



Item No	R&R Part No.	OEM Part No.	Description	Qty Req	Order Quantity
---------	--------------	--------------	-------------	---------	----------------

Other Parts Available

70	R2412-34	2412-34, 31-0120	Clamp - Hose .75-1.5	2	
<i>Detail Description: Stainless steel hose clamp with 5/16" slotted hex head, heat treated carbon steel, plated with zinc plus trivalent chromate for long lasting protection.:</i>					
71	R104-7546	104-7546, 104-7546`	Strainer - Tank	1	
72	R340-136	340-136	O-Ring	1	
73	R237-42	237-42, 31-4160	O-Ring	2	
74	R353-989	353-989	Plug - Hex - Hollow	1	
75	R93-7498	93-7498	Plug-Oil	1	
76	R354-73	354-73	Fitting-Straight	1	
77	R2412-129	2412-129, 94-3188, 94-3189, 94-3193, 94-3203, 94-3204	Clamp - Worm 9/16-1 1/4	4	
78	R46-6550	46-6550	Fitting - Elbow 90	1	
79	R46-6560	46-6560	Bushing	2	
80	R2412-98	2412-98	Clamp - Spring - Hose 1/4	2	
82	R92-2379	92-2379	Clamp - Hose	2	
83	R3290-379	3290-336, 3290-379	Cable Tie - 6in	2	
84	R68-6150	58-9070, 68-6150	Breather	1	

All original equipment manufacturers names and part numbers are used for identification purposes only, and we are in no way implying that our products are original equipment parts. Prices subject to change without notice.



Replaces Toro Groundsmaster 7210 Parts

*Zero-Turn Mower with 72in Deck - Model 30364
Hydraulic Assembly*



Item No	R&R Part No.	OEM Part No.	Description	Qty Req	Order Quantity
85	R2412-108	2412-108, 97406	Clamp - Worm - 1/4 - Stainless	2	
86	R353-979	353-979	Fitting - Straight	1	
87	R237-30	23-6320, 237-30	O-Ring - Seal	1	
88	R340-4	340-4	Hydraulic Fitting - Male Connector	1	
89	R237-79	237-79	O-Ring	1	
90	R237-65	237-65, 237.65	O-Ring	1	
91	R340-7	340-7	Adapter	1	
92	R237-80	237-80, 327-80	O-Ring	1	
93	R237-81	237-81, 237.81, 327-81	O-Ring	1	
94	R353-987	353-987	Hydraulic Fitting - 90 Deg	2	

All original equipment manufacturers names and part numbers are used for identification purposes only, and we are in no way implying that our products are original equipment parts. Prices subject to change without notice.