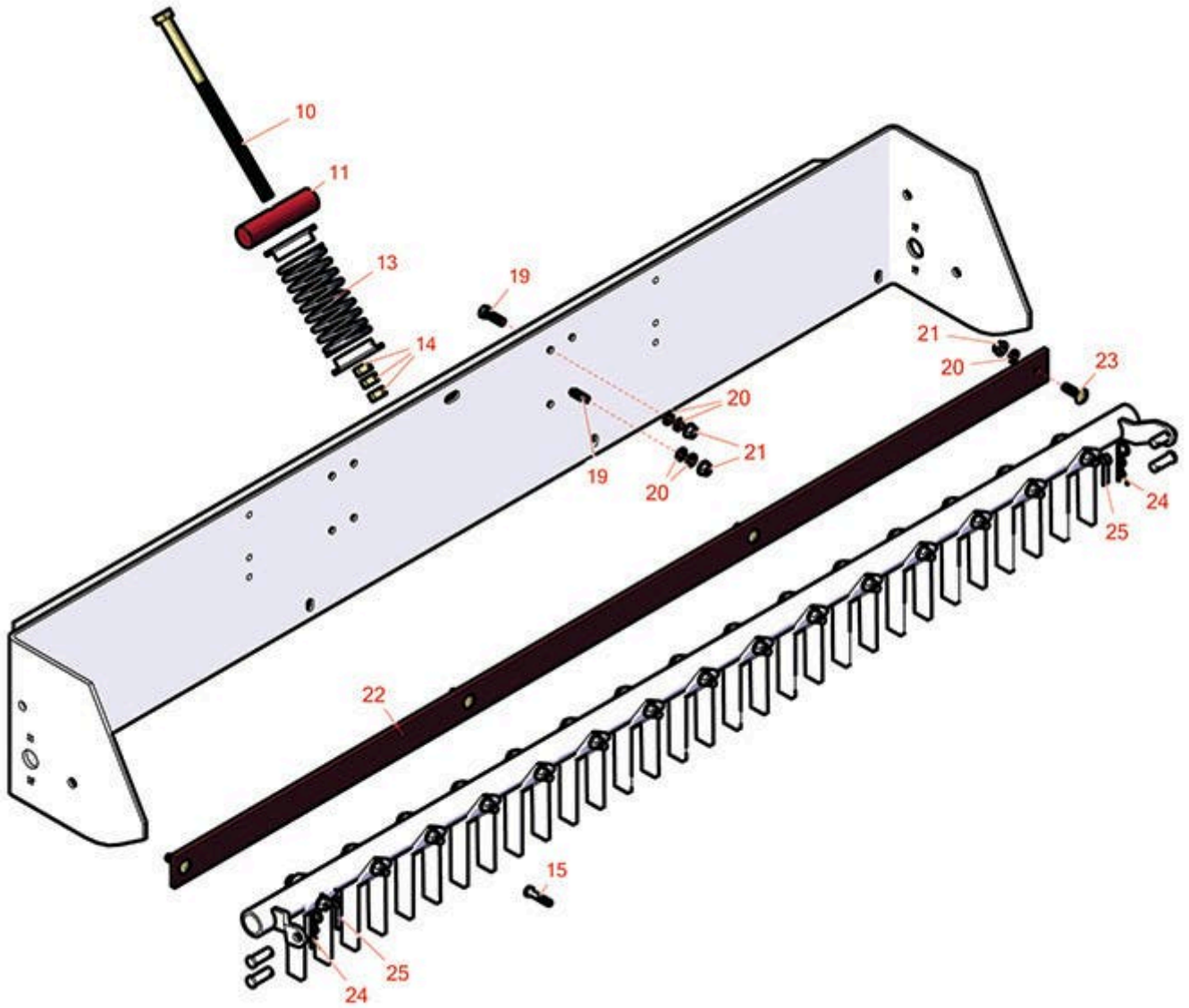




Replaces Toro Sand Pro 3020 Parts

Attachments

Finish Grader - Model 08867



All original equipment manufacturers names and part numbers are used for identification purposes only, and we are in no way implying that our products are original equipment parts. Prices subject to change without notice.



Replaces Toro Sand Pro 3020 Parts

Attachments

Finish Grader - Model 08867



Item No	R&R Part No.	OEM Part No.	Description	Qty Req	Order Quantity
10	R23-2770	23-2770	Rod - Actuating	2	
11	R23-2740	23-2740	Pin - Actuating	2	
13	R20-9420-01	01-261-0600, 20-9420, 20-9420-01	Spring - Compression	2	
14	R3217-11	3217-11	Nut - Hex 5/8-11	6	
15	R323-9	01-150-0190, 01-150-1540, 01-178-0614, 107229, 20-50-AD, 20-50-AGD, 30-9430, 32105-4, 3224-5, 323-9, 513363, 513364, 5377, 908037P	Bolt - Hex HD 3/8-16 x 1-3/4	4	
15	R400260	01-178-0605, 18-4100, 19-8270, 323-3, 323-33, 323-34, 323-5	Bolt - Hex HD 3/8-16 x 7/8	4	
19	R400264	01-150-0180, 01-178-0610, 20-48-AD, 20-48-AGD, 32-9160, 3224-3, 323-29, 323-7, 400264, 908035P	Bolt - Hex HD 3/8-16 x 1-1/4	4	

All original equipment manufacturers names and part numbers are used for identification purposes only, and we are in no way implying that our products are original equipment parts. Prices subject to change without notice.



Replaces Toro Sand Pro 3020 Parts

Attachments

Finish Grader - Model 08867



Item No	R&R Part No.	OEM Part No.	Description	Qty Req	Order Quantity
20	R453009	01-166-0400, 24-10-BD, 24-9-AD, 32-9650, 3256-2, 3256-23, 3256-3, 3256-67, 3290-217, 3556-3, 4-2390, 7-0152	Washer - Flat 5/16 SAE	12	
20	R453011	01-166-0100, 01-166-0120, 01-166-0270, 01-166-0500, 01-166-0600, 01-166-0620, 132-4593, 2356-3, 237-12, 24-10-AD, 24-11-AD, 24-11-BD, 24-12-AD, 24-12-BD, 30-9310, 32-8190, 3256-24, 3256-3, 3256-36, 3256-4, 453011, 47-9950, 48-9220, 513458, 7-0052	Washer - Flat 3/8 SAE Y/Zinc	12	
20	R3253-21	215-51, 30-8470, 3253-21, Jul-12	Washer - Lock 3/8	12	

All original equipment manufacturers names and part numbers are used for identification purposes only, and we are in no way implying that our products are original equipment parts. Prices subject to change without notice.



Replaces Toro Sand Pro 3020 Parts

Attachments

Finish Grader - Model 08867



Item No	R&R Part No.	OEM Part No.	Description	Qty Req	Order Quantity
21	R3296-39	32127-25, 32128-36, 3290-357, 3296-17, 3296-22, 3296-39, 915663P, 99-7443	Locknut - 3/8-16 Nylon	12	
21	R32128-43	30-8990, 32128-43, 3290-357	Nut - Flanged Whiz - 3/8-16	12	
21	R3217-7	01-188-0616, 1441, 22-13-AJD, 3217-7, 513296, 513415, 513425, 915113P	Nut - 3/8-16 Hex Plated	12	
22	R23-2790-01	23-2790, 23-2790-01	Blade - Scraper	1	
23	R3231-25	01-173-0610, 30-9970, 3231-25, 3231-3, 900064P	Bolt - Carriage 3/8-16 x 1-1/4	4	
24	R3290-355	01-159-0050, 3290-355, 58-5370	Pin - Bridge - Snap	2	
25	R3272-11	01-151-0010, 01-151-0040, 28-18-D, 28-28-D, 3211-72, 3272-11	Pin - Cotter	3	

All original equipment manufacturers names and part numbers are used for identification purposes only, and we are in no way implying that our products are original equipment parts. Prices subject to change without notice.