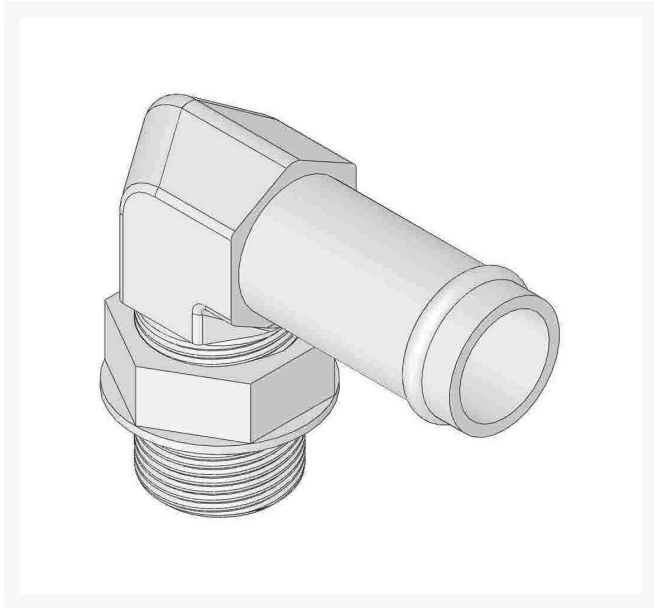




Hydraulic Fitting - Push 90 Deg

R95-0629



Replaces

| | |
|--------------|------------------|
| Exmark | 87-8170 |
| R&R Products | R87-8170 |
| Toro | 87-8170, 95-0629 |

Specifications

| | |
|--------------|--------------|
| Manufacturer | R&R Products |
|--------------|--------------|

Fits Models

Exmark Lazer Z S-Series
R&R Products Sand Max 216
R&R Products Sand Max 316
R&R Products Sand Max 416
R&R Products Sand Max 516
R&R Products Sand Max 518
R&R Products Sand Max 521LP
Toro Groundsmaster 3280-D
Toro Sand Pro 2020
Toro Sand Pro 3020
Toro Sand Pro 3040
Toro Sand Pro 5020
Toro Workman 3100
Toro Workman 3120
Toro Workman HD
Toro Workman HDX-Auto
Toro Z Master Professional 7500-D

Krima Trading AB

Stene 710 Kumla, 692 93

+46 19 57 35 20

<https://krima.rrproducts.com/>