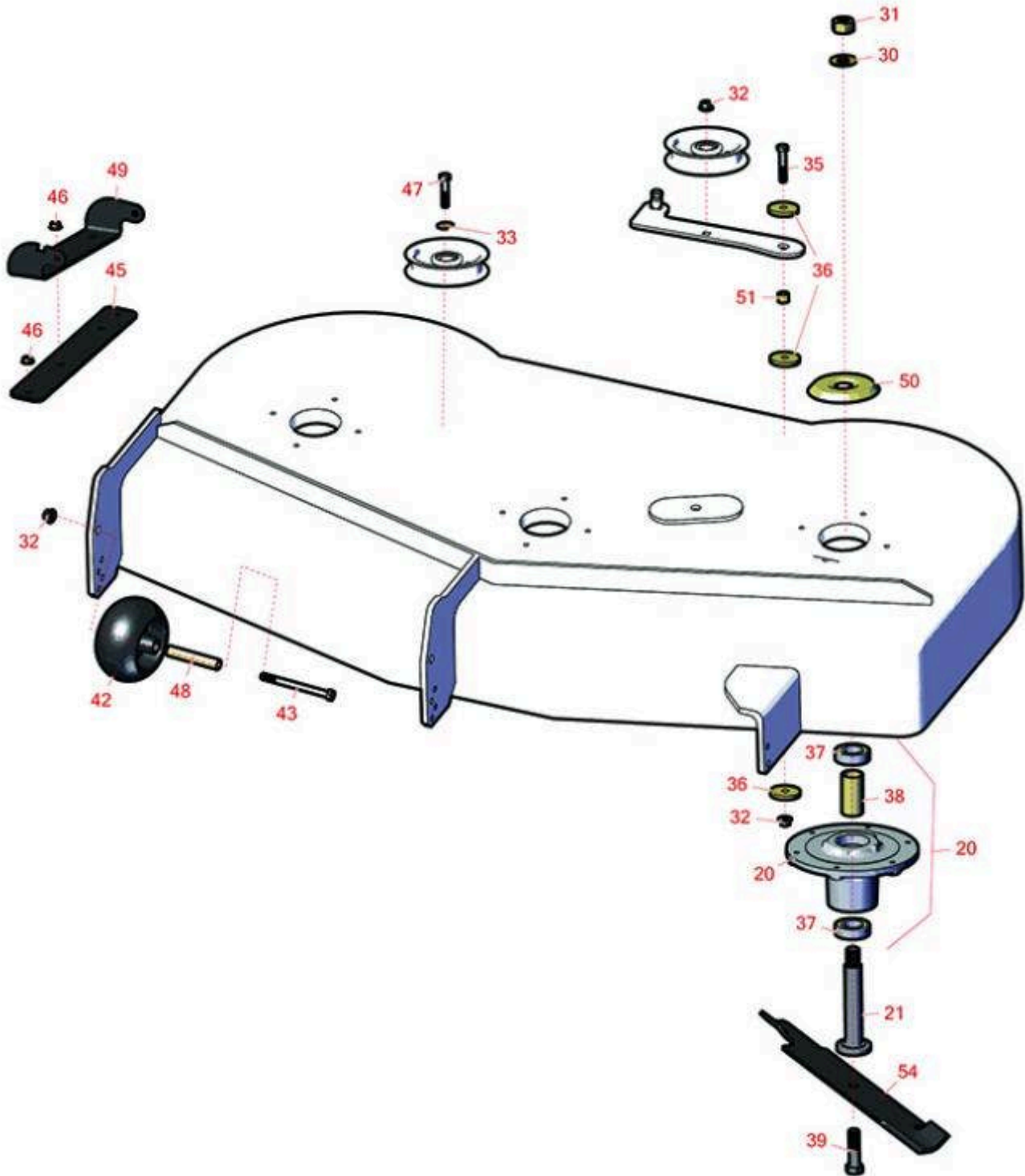




Replaces Toro Titan MX 6000 Parts

Zero Turn Mower - Model 74893

60in Rotary Deck



All original equipment manufacturers names and part numbers are used for identification purposes only, and we are in no way implying that our products are original equipment parts. Prices subject to change without notice.



Replaces Toro Titan MX 6000 Parts

Zero Turn Mower - Model 74893

60in Rotary Deck



| Item No | R&R Part No. | OEM Part No. | Description | Qty Req | Order Quantity |
|------------------------------|------------------|---|--------------------------------------|---------|----------------|
| Spindles | | | | | |
| 20 | R139-2357 | 120-5477, 139-2357 | Spindle Assy | 3 | |
| 21 | R115-2642 | 115-2642 | Shaft- Spindle | 3 | |
| Other Parts Available | | | | | |
| 30 | R7-4150 | 7-4150 | Washer | 3 | |
| 31 | R3219-7 | 01-158-0600, 01-188-1216, 215-46, 22-18-BJC, 3219-7 | Nut- 3/4-16 GR8 Hex | 3 | |
| 32 | R104-8301 | 104-8301, 104-9301, 109-6658, 133-7570 | Locknut - 3/8-16 Nylon Flanged | 6 | |
| 33 | R80-6990 | 104-1050, 80-6990 | Washer - Hardened | 3 | |
| 35 | R323-10 | 01-150-0680, 01-178-0616, 100-6663, 100-8320, 1489, 20-51-AD, 20-51-AGD, 3224-6, 323-10, 323-35, 908336 | Bolt - Hex HD 3/8-16 x 2 | 1 | |
| 36 | R110-9981 | 110-9981 | Washer-Plain | 3 | |
| 37 | R116-0720 | 116-0720 | Bearing - Ball - Special Triple Seal | 2 | |
| 38 | R115-2641 | 115-2641 | Spacer- Bearing | 1 | |
| 39 | R51-4060 | 51-4060 | Bolt - Blade | 3 | |

All original equipment manufacturers names and part numbers are used for identification purposes only, and we are in no way implying that our products are original equipment parts. Prices subject to change without notice.



Replaces Toro Titan MX 6000 Parts

Zero Turn Mower - Model 74893

60in Rotary Deck



| Item No | R&R Part No. | OEM Part No. | Description | Qty Req | Order Quantity |
|---------|---------------------|---|----------------------------------|---------|----------------|
| 42 | R68-2730 | 1-603299, 68-2730 | Wheel - Anti Scalp | 3 | |
| 43 | R323-23 | 01-150-0810, 01-178-0636, 20-60-AGD, 323-23 | Bolt - Hex HD 3/8-16 x 4-1/2 | 3 | |
| 45 | R115-5048-03 | 115-5048-03 | Plate - Deflector | 1 | |
| 46 | R104-8300 | 104-8300, 104-8300 , 119-4041 | Locknut - 5/16-18 Flanged Y/Zinc | 7 | |
| 47 | R323-9 | 01-150-0190, 01-150-1540, 01-178-0614, 107229, 20-50-AD, 20-50-AGD, 30-9430, 32105-4, 3224-5, 323-9, 513363, 513364, 5377, 908037P | Bolt - Hex HD 3/8-16 x 1-3/4 | 3 | |
| 48 | R98-7912 | 98-7912 | Bushing - Spanner Wheel | 1 | |
| 49 | R114-1648-05 | 114-1648-05 | Bracket - Upper Deflector | 1 | |
| 50 | R117-7210 | 117-7210 | Shield - Bearing | 1 | |
| 51 | R1-413088 | 1-413088 | Bushing - Lift Lever | 1 | |
| 54 | R115-9649-03 | 115-9649-03 | Mower Blade - 20.5 in High-Flow | 3 | |

All original equipment manufacturers names and part numbers are used for identification purposes only, and we are in no way implying that our products are original equipment parts. Prices subject to change without notice.