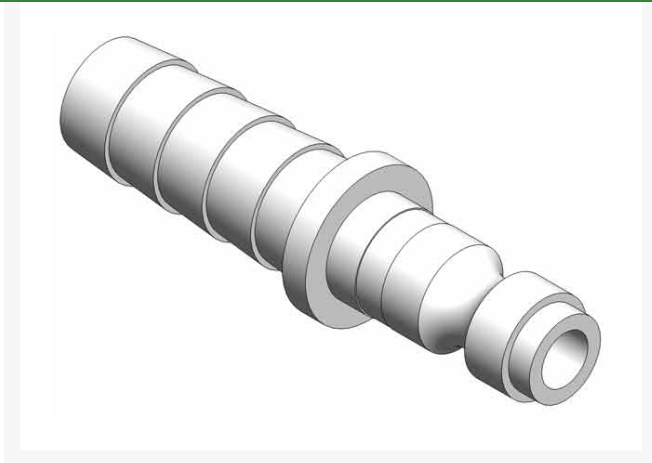




# Plug - Coupler 3/8 Hose Barb

R5572



## Details

Plated steel couplers with hardened steel balls & stainless steel springs or brass fittings that offer corrosion resistance, ductility at high temperatures, and low magnetic permeability. Maximum working pressure 300 PSI.

## Specifications

Manufacturer

R&R Products

**Krima Trading AB**

Stene 710 Kumla, 692 93

+46 19 57 35 20

<https://krima.rrproducts.com/>