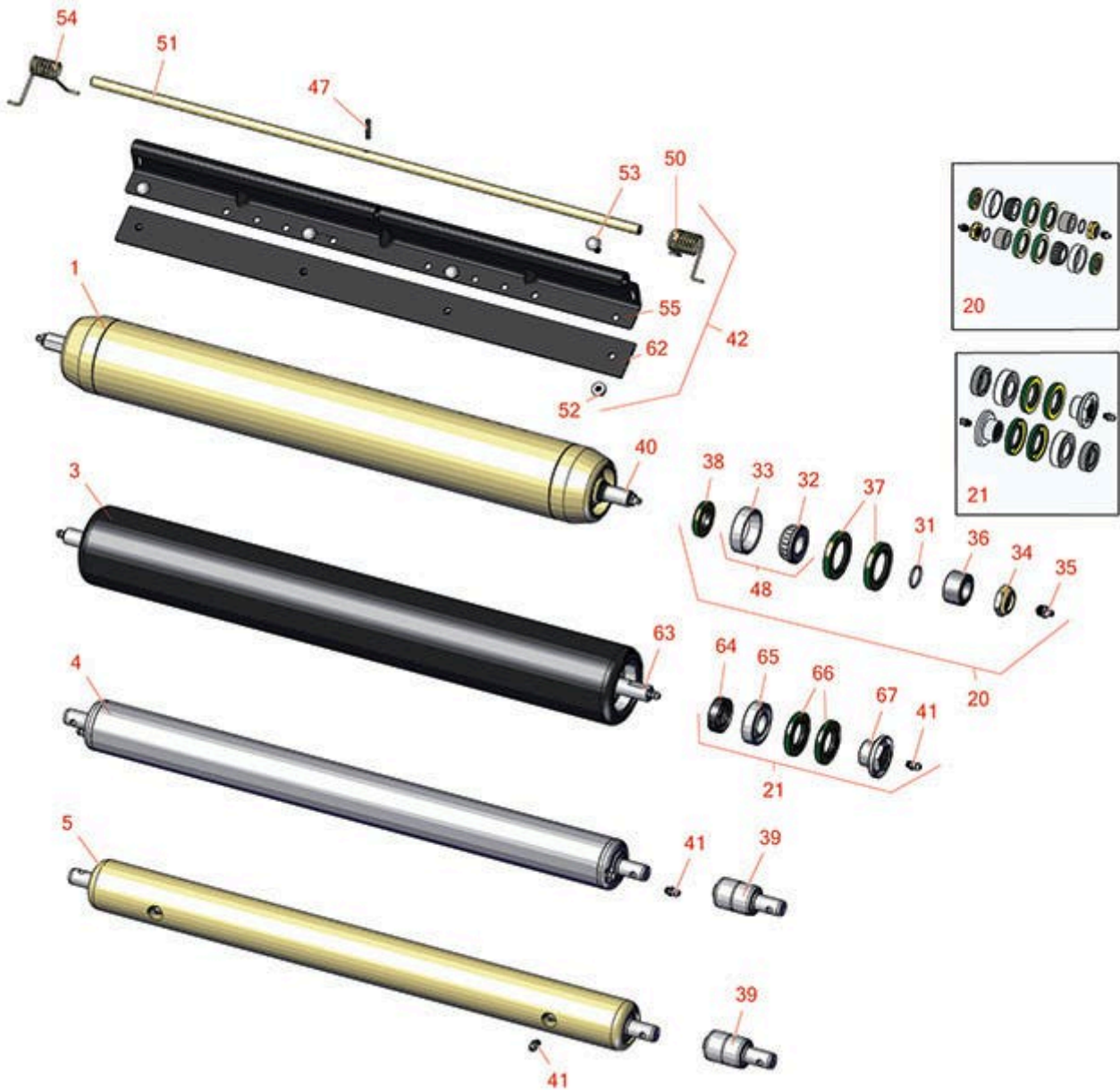




Replaces John Deere 3235 Reel Mower

Parts

Heavy Cutting Unit
Rear Rollers



All original equipment manufacturers names and part numbers are used for identification purposes only, and we are in no way implying that our products are original equipment parts. Prices subject to change without notice.



Replaces John Deere 3235 Reel Mower

Parts

Heavy Cutting Unit
Rear Rollers



Item No	R&R Part No.	OEM Part No.	Description	Qty Req	Order Quantity
---------	--------------	--------------	-------------	---------	----------------

R&R Rear Rollers

1	RAET11263	AET11263, AMT2967	Roller - Smooth Tubular Steel	0	
---	------------------	----------------------	-------------------------------	---	--

Tech Note: Constructed with a through shaft, this heavy duty roller uses greasable tapered bearings for extended life.:

3	R1203825		Roller - Fusion Smooth UHMW Polyethylene	0	
---	-----------------	--	--	---	--

Tech Note: Fusion Rollers combine the best features of our UHMW plastic rollers with a heavy-duty internal bearing system. Machined from solid UHMW plastic that prevents build-up of debris. This roller turns on precision stainless ball bear... <Click Part# for more>:

4	RAET10111	AET10111, AMT2876	Roller - Smooth Tubular Steel	0	
---	------------------	----------------------	-------------------------------	---	--

Tech Note: This tubular steel roller uses greasable "water-pump" style bearings.:

5	RAMT1442	AMT1442, AMT2878	Roller - Smooth Solid Steel	0	
---	-----------------	---------------------	-----------------------------	---	--

Tech Note: Machined from solid steel, this heavy weight roller uses greasable "water-pump" style bearings.:

Overhaul Kits

20	RAET10632	AET10632	Overhaul Kit - Roller	0	
----	------------------	----------	-----------------------	---	--

Tech Note: Includes 4 ea: RET15755 Seal; 2 ea: R237-54 O-Ring, R253-122 Seal, R254-78 Bearing, R254-79 Cup, R3296-15 Locknut, R471219 Grease Zerk, RET15726 Sleeve, RET15756 Seal:

21	R114-5430		Overhaul Kit - Roller	0	
----	------------------	--	-----------------------	---	--

Tech Note: Includes 4 ea.: R112-7494 Seals; 2 ea.: R302-5 Grease Zerks, R114-3717 Seals, R112-5290 Bearings & R114-3745 Locknuts:

Other Parts Available

31	R237-54	U46731, U6731	O-Ring - Small	2	
----	----------------	------------------	----------------	---	--

32	R254-78	JD8188	Tapered Bearing Cone	2	
----	----------------	--------	----------------------	---	--

All original equipment manufacturers names and part numbers are used for identification purposes only, and we are in no way implying that our products are original equipment parts. Prices subject to change without notice.



Replaces John Deere 3235 Reel Mower

Parts

Heavy Cutting Unit
Rear Rollers



Item No	R&R Part No.	OEM Part No.	Description	Qty Req	Order Quantity
33	R254-79	JD8226	Cup - Bearing	2	
<i>Tech Note: Use R254-79M installation mandrel to properly install race.:</i>					
34	R3296-15	N101345	Locknut - 3/4-16 Nylon Jam	2	
35	R471219	471219, JD7759, JD7798	Zerk - Grease	2	
36	RET15726	ET15726, RET15726	Sleeve - Wear Hardened	2	
37	RET15755	ET15755	Seal - Oil	4	
38	RET15756	ET15756, MT1739, MT739	Seal	2	
38	R253-122	253-122	Seal	2	
39	RAA35741	AA35741, AET10129, TCA22836	Bearing	2	
<i>Tech Note: 1/4" Side Hole:</i>					
40	RET17515	ET17515	Shaft - Roller	1	
41	R302-5	JD7797, JD7842, JD7844	Fitting - Grease	2	
42	RBM17684	BM17684	Scrapper Kit - Solid Roller SET/5	1	
<i>Tech Note: Includes 20 ea: R03M7221 Bolt, R14M7303 Nut; 5 ea: R34M7010 Pin, R500571 Scrapper Bar, RET17629 LH Spring, RET17630 RH Spring, RET17757 Pin, RMT2595 Scrapper Blade:</i>					
47	R34M7010	34M7010	Pin - Spring	5	
48	R500534		Bearing - with Cup	0	
50	RET17629	ET17629	Spring - Torsion LH	5	

All original equipment manufacturers names and part numbers are used for identification purposes only, and we are in no way implying that our products are original equipment parts. Prices subject to change without notice.



Replaces John Deere 3235 Reel Mower

Parts

*Heavy Cutting Unit
Rear Rollers*



Item No	R&R Part No.	OEM Part No.	Description	Qty Req	Order Quantity
51	RET17757	ET11757, ET17757	Pin - Scraper	5	
52	R14M7303	14M7303	Nut - 6mm x 1.0 Flanged	15	
53	R03M7221	03M7221	Bolt - Carriage M6 x 16	15	
54	RET17630	ET17630	Spring - Torsion RH	5	
55	R500571	MT2369	Bar - Scraper	5	
62	RMT2595	MT2595, MT2895	Scraper Blade - Solid Roller	1	
63	R1203821		Shaft - Fusion Roller	1	
64	R114-3717		Seal	2	
65	R112-5290		Bearing - Stainless	2	
66	R112-7494		Seal	4	
67	R114-3745		Locknut - Bearing - Stainless	2	

All original equipment manufacturers names and part numbers are used for identification purposes only, and we are in no way implying that our products are original equipment parts. Prices subject to change without notice.