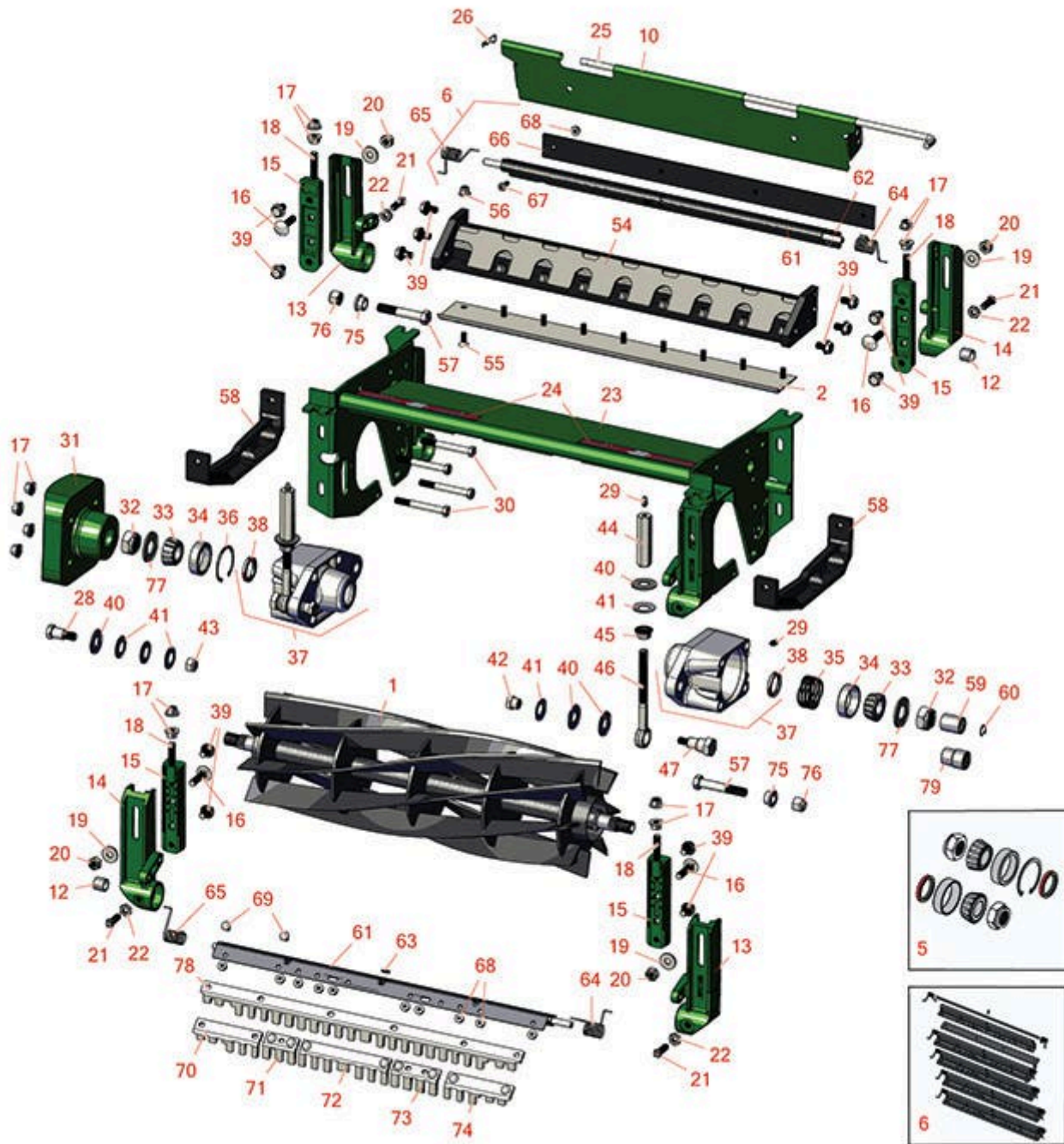




Replaces John Deere 3235 Reel Mower

Parts

Heavy Cutting Unit
Reel & Bedknife



All original equipment manufacturers names and part numbers are used for identification purposes only, and we are in no way implying that our products are original equipment parts. Prices subject to change without notice.



Replaces John Deere 3235 Reel Mower Parts

Heavy Cutting Unit
Reel & Bedknife



Item No	R&R Part No.	OEM Part No.	Description	Qty Req	Order Quantity
---------	--------------	--------------	-------------	---------	----------------

R&R Reels, Lifetime Guaranteed

1	RAET11159	AMT2893	Reel - 8 Blade	1	
1	RAMT2895	AMT2895	Reel - 5 Blade	1	
1	RAMT2894	AMT2894	Reel - 10 Blade	1	

R&R Bedknives, Lifetime Guaranteed

2	RET17751	ET17751	Bedknife - Standard 12mm	1	
2	RMT1928	MT1928	Bedknife - 9.5mm (3/8)	1	
2	RMT3983	MT3983	Bedknife - 6.3 mm (1/4)	1	

R&R Razor Tool Steel Bedknives, Lifetime Guaranteed

2	R130135		Bedknife - Razor Tool Steel - 22 High Cut	1	
2	RTCUC32581	TCUC32581	Bed Knife - Razor 1/4 in HOC - Extended	1	

Overhaul Kits

5	R100174		Overhaul Kit - Cutting Unit	0	
---	---------	--	-----------------------------	---	--

Tech Note: Includes 2 ea.: R254-90 Bearing Cups, RJD8960 Bearing Cones, RMT1115 Seals, RMT1211 Locknuts; 1 ea.: R32120-65 Retaining Ring;

6	RBM17684	BM17684	Scraper Kit - Solid Roller SET/5	0	
---	----------	---------	----------------------------------	---	--

Tech Note: Includes 20 ea: R03M7221 Bolt, R14M7303 Nut; 5 ea: R34M7010 Pin, R500571 Scraper Bar, RET17629 LH Spring, RET17630 RH Spring, RET17757 Pin, RMT2595 Scraper Blade;

Other Parts Available

10	RET17753	ET17753	Shield - Rear	1	
12	RMT74	MT74	Bushing - Roller Bkt	4	
13	RMT6595	MT6595	Adjuster - L. Front / R. Rear	2	

All original equipment manufacturers names and part numbers are used for identification purposes only, and we are in no way implying that our products are original equipment parts. Prices subject to change without notice.



Replaces John Deere 3235 Reel Mower Parts

*Heavy Cutting Unit
Reel & Bedknife*



Item No	R&R Part No.	OEM Part No.	Description	Qty Req	Order Quantity
13	RET17633	ET17633	Adjuster - L. Front / R. Rear	2	
14	RAMT100	AMT100, ET17632	Adjuster - R. Front / L. Rear	2	
15	RAET11311	AET11311	Clamp - Roller Bkt	4	
16	R03M7194	03M7194	Bolt	4	
17	R14M7296	14M7296	Nut - 10mm x 1.5 Flanged	8	
18	RET17646	ET17646	Stud - Clamp	4	
19	R24H1308	24H1308	Washer	4	
20	R14M7400	14M7400	Locknut - 10mm	4	
21	RH138435	H138435	Screw - Set	2	
22	R14M7152	14M7152	Nut - 10mm x 1.5 Jam	2	
23	RAET11305	AET11305	Frame	1	
24	RMT6517	MT6517	Label - Warning	2	
25	RET17759	ET17759	Pin	1	
26	RR50647	J16931, R50647	Pin - Hair Cotter	2	
28	RMT6338	MT6338	Bolt - Shoulder	2	
29	R302-5	JD7797, JD7842, JD7844	Fitting - Grease	4	
30	R19M8197	19M8197	Bolt - Hx HD	8	
31	RMT761	MT761	Weight	1	
32	RMT1211	MT1211	Locknut - 7/8-14 All Metal	2	
33	RJD8960	JD8960	Tapered Bearing Cone	2	

All original equipment manufacturers names and part numbers are used for identification purposes only, and we are in no way implying that our products are original equipment parts. Prices subject to change without notice.



Replaces John Deere 3235 Reel Mower Parts

*Heavy Cutting Unit
Reel & Bedknife*



Item No	R&R Part No.	OEM Part No.	Description	Qty Req	Order Quantity
34	R254-90	JD8239	Tapered Bearing Cup	2	
35	RET17510	ET17510	Spring	1	
36	R32120-65	N51168	Ring - Retaining	1	
37	RAMT683	AMT683	Housing - Bearing w/Zerk and Seal	2	
38	RMT1115	MT1115	Seal - Reel	2	
39	R19M7783	19M7783	Screw - Bed Bar Mount	14	
40	RET16424	ET16424	Washer	6	
41	RET16678	ET16678	Washer - Spring	10	
42	RET16572	ET16572	Nut - Hex	2	
43	RA31867	A31867	Locknut	2	
44	RAET10880	AET10880, AMT2965	Adjuster - Reel	2	
45	RET17361	ET17361	Nut - Flanged Eyebolt	2	
46	RET16897	ET16897	Eyebolt	2	
47	RET16896	ET16896	Bolt - Shoulder	2	
54	RAMT2973	AMT2973	Backing Bar - Bed Knife	1	
55	R19M7573	19M7573	Screw - Bedknife M8-1.25 x 20	9	
56	R14M7396	14M7396	Locknut - Flanged Nyloc	9	
57	R19H1820	19H1820	Cap Screw - 1/2-13 x 3	2	
58	RMT2527	MT2527	Shoe - Skid	2	
59	RTCA12581	TCA12581	Coupling - Reel 11 Tooth	1	
60	RMT2745	MT2745	Snap Ring	1	

All original equipment manufacturers names and part numbers are used for identification purposes only, and we are in no way implying that our products are original equipment parts. Prices subject to change without notice.



Replaces John Deere 3235 Reel Mower Parts

Heavy Cutting Unit
Reel & Bedknife



Item No	R&R Part No.	OEM Part No.	Description	Qty Req	Order Quantity
61	R500571	MT2369	Bar - Scraper	2	
62	RET17757	ET11757, ET17757	Pin - Scraper	2	
63	R34M7010	34M7010	Pin - Spring	2	
64	RET17629	ET17629	Spring - Torsion LH	2	
65	RET17630	ET17630	Spring - Torsion RH	2	
66	RMT2595	MT2595, MT2895	Scraper Blade - Solid Roller	1	
67	R21M7246	21M7246	Screw	4	
68	R14M7303	14M7303	Nut - 6mm x 1.0 Flanged	10	
69	R03M7251	03M7251	Bolt - Gr. Roller Scraper	10	
70	RMT5158	MT5158	Scraper - Fits J.D. RH End	1	
71	RMT2342	MT2342	Section - Grooved Scraper 3 Tooth	1	
72	RMT2340	MT2340	Scraper - Fits J.D. Center	1	
73	RMT2341	MT2341	Section - Grooved Scraper 4 Tooth	1	
74	RMT5159	MT5159	Scraper - Fits J.D. LH End	1	
75	RM71076	M71076	Bushing	2	
76	RK40014	K40014	Locknut - 1/2-13 All Metal Top Lock	2	
77	RM81551	M81551	Washer - 1.840 OD	2	
78	R500558		Scraper - Grooved Roller	1	

Tech Note: 1 Piece Scraper fits OEM AET11262 & AMT2966 Grooved Roller:

All original equipment manufacturers names and part numbers are used for identification purposes only, and we are in no way implying that our products are original equipment parts. Prices subject to change without notice.



Replaces John Deere 3235 Reel Mower Parts

*Heavy Cutting Unit
Reel & Bedknife*



Item No	R&R Part No.	OEM Part No.	Description	Qty Req	Order Quantity
79	RMT7067	MT7067	Coupling - Splined 9/11 Tooth	1	

All original equipment manufacturers names and part numbers are used for identification purposes only, and we are in no way implying that our products are original equipment parts. Prices subject to change without notice.