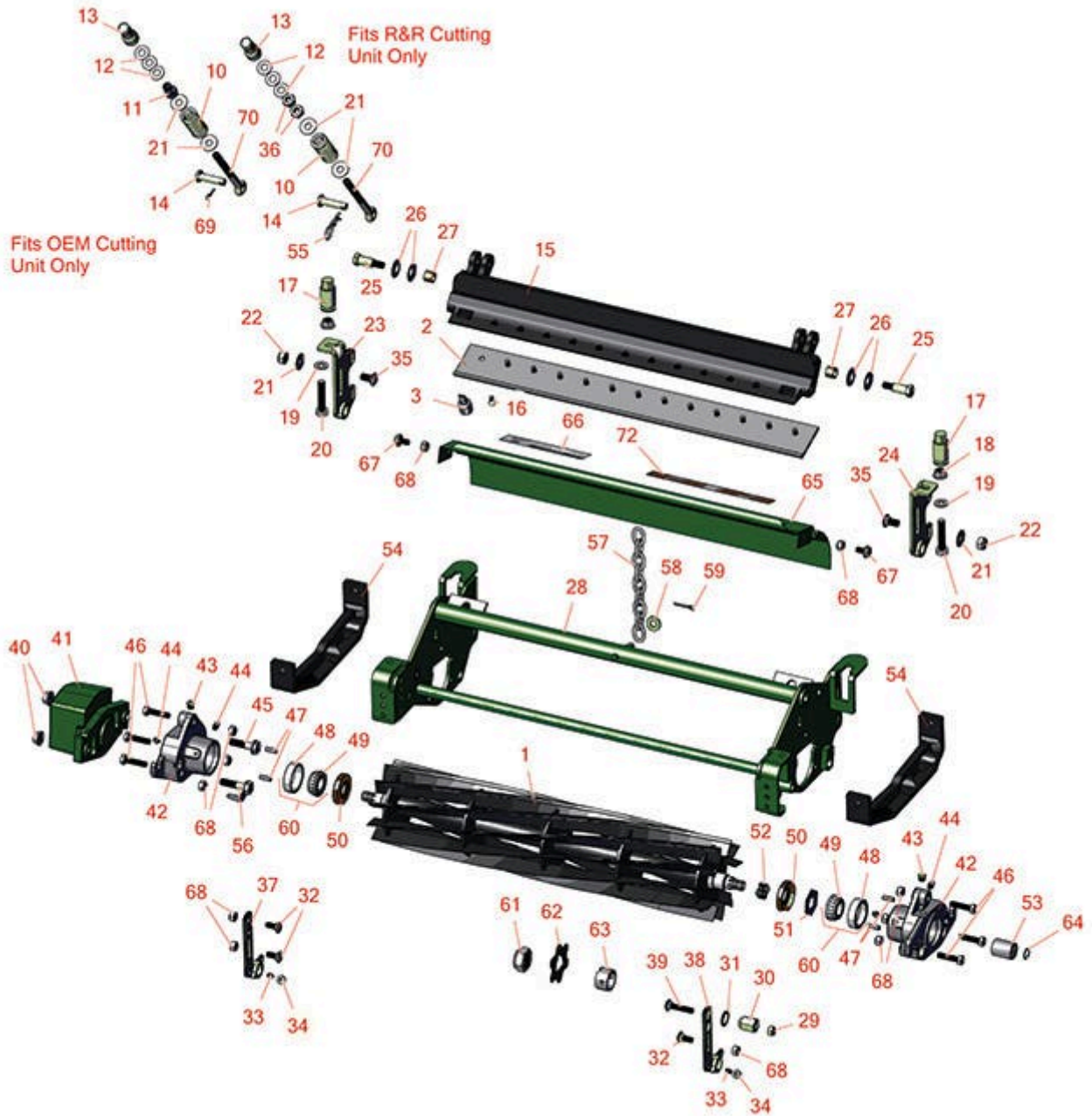




# Replaces John Deere 3215B Reel Mower

## Parts

Medium Cutting Unit  
Reel & Bedknife



All original equipment manufacturers names and part numbers are used for identification purposes only, and we are in no way implying that our products are original equipment parts. Prices subject to change without notice.



# Replaces John Deere 3215B Reel Mower

## Parts

Medium Cutting Unit  
Reel & Bedknife



Item No	R&R Part No.	OEM Part No.	Description	Qty Req	Order Quantity
---------	--------------	--------------	-------------	---------	----------------

### R&R Reels, Lifetime Guaranteed

1	<b>RAET11237</b>	AET11237, AMT2883	Reel - 7 Blade Heavy Duty - External Spline	1	
1	<b>R101274</b>	AMT2885, AMT538	Reel - 11 Blade - External Spline	1	

### R&R Bedknives, Lifetime Guaranteed

2	<b>RET17767</b>	ET17767, UC23562	Bedknife - High Cut 5/16	1	
2	<b>RET17532</b>	ET11066, ET17532	Bedknife - Fairway .189 Min	1	
2	<b>RET17533</b>	ET14402, ET17533, ET17767, MT4869, MT7351, UC18873	Bedknife - 22in Standard- .126 Min. HOC	1	
2	<b>RET17534</b>	ET17534	Bedknife - 22in Tournament- .098 Min HOC	1	
2	<b>RMT7351</b>	ET17489, MT7351, UC19154, UC28163	Bedknife - 22in Lo-Cut .079 Min. HOC	1	

### R&R Razor Tool Steel Bedknives, Lifetime Guaranteed

2	<b>R130116</b>	MT4846, UC18877	Bedknife - Razor Tool Steel - 22 Tournament Cut	1	
2	<b>R130130</b>		Bedknife - Razor Tool Steel - 22 High Cut	1	

### Service Tools

3	<b>R101278T</b>		Bedknife Screw Driver Tool	0	
---	-----------------	--	----------------------------	---	--

*Tech Note: Easily install and remove bed knife screws with the help of a ratchet. Tool manufactured with hardened alloy steel.:*

All original equipment manufacturers names and part numbers are used for identification purposes only, and we are in no way implying that our products are original equipment parts. Prices subject to change without notice.



# Replaces John Deere 3215B Reel Mower

## Parts

Medium Cutting Unit  
Reel & Bedknife



Item No	R&R Part No.	OEM Part No.	Description	Qty Req	Order Quantity
---------	--------------	--------------	-------------	---------	----------------

### Other Parts Available

10	<b>RET11070</b>	ET11070	Spring - Bed Bar	2	
11	<b>RMT6486</b>	MT6486	Nut - Bed Bar Adjusting	2	
12	<b>RET16679</b>	ET16679	Washer - Spring	6	
13	<b>RMT6990</b>	MT6990	Nut - Adjusting	2	
14	<b>R45M7060</b>	45M7060	Pin	2	
15	<b>RMT2694</b>	MT2694	Bed Bar	1	
16	<b>R101278</b>	21M7194	Screw - Bedknife	13	
17	<b>RMT6483</b>	MT6483	Nut - Adjusting Rear Roller	2	
18	<b>R14M7296</b>	14M7296	Nut - 10mm x 1.5 Flanged	2	
19	<b>R24M7096</b>	24M7096	Washer	2	
20	<b>R19M7383</b>	19M7383	Bolt - Rear Roller Adj 55 mm Long	2	
20	<b>R19M7385</b>	19M7385	Bolt - Rear Roller Adj 70mm Long	2	
21	<b>RP250-52</b>	T105740	Washer - 3/8 USS Flat Zinc	2	
22	<b>R14M7517</b>	14M7517	Locknut - 10mm x 1.5 ESNA	2	
23	<b>RAMT5112</b>	AMT5112	Bracket - Roller RH Rear	1	
24	<b>RAMT5113</b>	AMT5113	Bracket - Roller LH Rear	1	
25	<b>RMT3016</b>	MT3016	Bolt - Bed Bar	2	
26	<b>RN168012</b>	N168012	Washer - Spring	4	
27	<b>RB30499</b>	B30499	Bushing - Bed Bar	2	
28	<b>R130121</b>	AMT1415	Frame - Cutting Unit	1	
29	<b>R14M7166</b>	14M7166	Locknut - 8mm x 1.25 ESNA	1	

All original equipment manufacturers names and part numbers are used for identification purposes only, and we are in no way implying that our products are original equipment parts. Prices subject to change without notice.



# Replaces John Deere 3215B Reel Mower

## Parts

Medium Cutting Unit  
Reel & Bedknife



Item No	R&R Part No.	OEM Part No.	Description	Qty Req	Order Quantity
30	<b>RMT3881</b>	MT3881	Nut - Eccentric Front Roller Bkt	1	
31	<b>R12M7052</b>	12M7052	Washer - Rib Lock	1	
32	<b>R03M7184</b>	03M7184	Bolt - Carriage M8	3	
33	<b>R22H1004</b>	19H3003	Screw - Set 1/4-28 x 1/2	2	
34	<b>R3219-1</b>	14H860	Nut - 1/4-28	2	
35	<b>R03M7191</b>	03M7191	Bolt - Carriage M10 x 25	2	
36	<b>R130123</b>	130123	Nut - Hex 10mm x 1.0	4	
37	<b>RMT3015</b>	MT3015	Bracket - RH - Extended	1	
37	<b>RMT7259</b>	MT7259	Bracket - RH	1	
38	<b>RMT3072</b>	MT3072	Bracket - LH - Extended	1	
38	<b>RMT7260</b>	MT7260	Bracket - LH	1	
39	<b>R03M7188</b>	03M7188	Bolt - Carriage M8 x 40	1	
40	<b>RH135891</b>	H135891	Locknut - 10mm x 1.5 Flanged 10.9	2	
<i>Tech Note: High Strength:</i>					
41	<b>RMT6476</b>	MT6476	Counterweight	1	
42	<b>RMT7294</b>	MT2647, MT7294	Housing - Reel	2	
43	<b>R170714</b>	E14814	Fitting - Pressure Relief	2	
44	<b>R302-5</b>	JD7797, JD7842, JD7844	Fitting - Grease	4	
45	<b>R19M7804</b>	19M7804	Bolt - Flanged Hex M10-1.5 x 40	2	
46	<b>R19M8008</b>	19M8008	Bolt - Hex HD M8-1.25 x 35	6	

All original equipment manufacturers names and part numbers are used for identification purposes only, and we are in no way implying that our products are original equipment parts. Prices subject to change without notice.



# Replaces John Deere 3215B Reel Mower Parts

Medium Cutting Unit  
Reel & Bedknife



Item No	R&R Part No.	OEM Part No.	Description	Qty Req	Order Quantity
47	<b>RR30587</b>	30587, R30587	Pin - Dowell 1/4 Dia. x .75	4	
48	<b>R254-79</b>	JD8226	Cup - Bearing	2	
<i>Tech Note: Use R254-79M installation mandrel to properly install race.:</i>					
49	<b>R254-78</b>	JD8188	Tapered Bearing Cone	2	
50	<b>RET14566</b>	ET14566	Seal - Reel	2	
51	<b>RET16704</b>	ET16704	Retainer	1	
52	<b>RET14592</b>	ET14592	Spring - Reel Bearing	1	
53	<b>RTCA12581</b>	TCA12581	Coupling - Reel 11 Tooth	1	
54	<b>RMT2527</b>	MT2527	Shoe - Skid	2	
55	<b>R130122</b>		Clip - Hitch Pin	1	
56	<b>RAMT2261</b>	AMT2261	Kit - Bolt w/Clip	2	
57	<b>RAMT1479</b>	AMT1479	Chain - Link	1	
58	<b>R24H1682</b>	24H1682	Washer - 13/32 x 7/8 x 1/8	1	
59	<b>R460028</b>	11M7059, 460028	Pin - Cotter 1/8 x 1	1	
60	<b>R500534</b>		Bearing - with Cup	2	
61	<b>RN198341</b>	N198341	Nut - Nyloc 7/8-14	1	
62	<b>RMT2624</b>	MT2624	Knife - Greens Conditioner	38	
63	<b>RET14917</b>	ET14917	Spacer	1	
64	<b>RMT2745</b>	MT2745	Snap Ring	1	
65	<b>RAMT2495</b>	AMT2495, AMT554	Shield - Grass	1	

All original equipment manufacturers names and part numbers are used for identification purposes only, and we are in no way implying that our products are original equipment parts. Prices subject to change without notice.



# Replaces John Deere 3215B Reel Mower Parts

*Medium Cutting Unit  
Reel & Bedknife*



Item No	R&R Part No.	OEM Part No.	Description	Qty Req	Order Quantity
66	<b>R67-7960</b>		Decal - Warning	2	
67	<b>R19M7865</b>	19M7865	Bolt - Hex Washer M8 x 16	2	
68	<b>RH137328</b>	H137328	Locknut	12	
69	<b>R11M7012</b>	11M7012	Pin - Cotter 1/8 x 5/8	2	
70	<b>RMT3074</b>	MT3074	Eyebolt - Bed Bar	2	
72	<b>RMT6517</b>	MT6517	Label - Warning	1	

All original equipment manufacturers names and part numbers are used for identification purposes only, and we are in no way implying that our products are original equipment parts. Prices subject to change without notice.