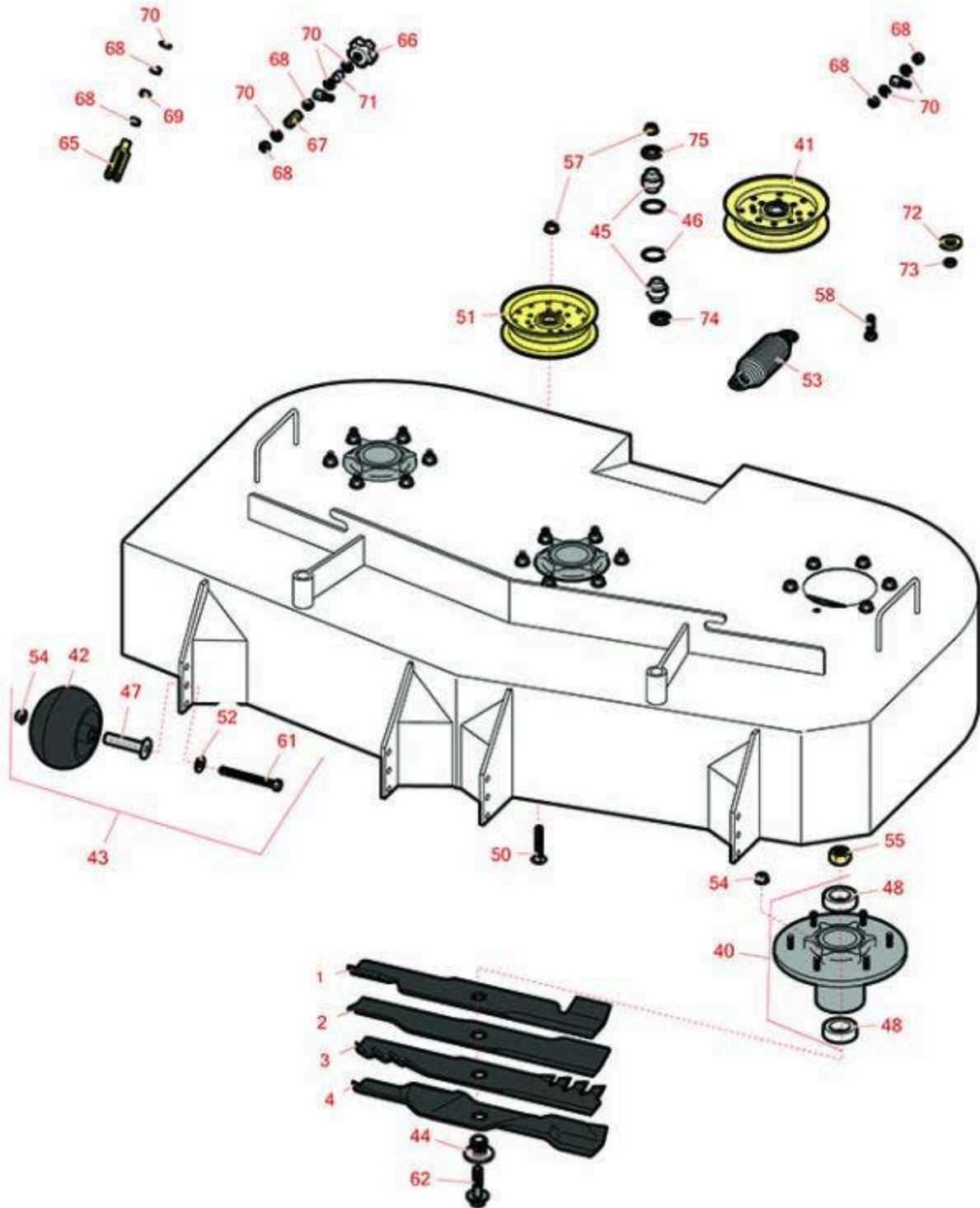




Replaces Exmark Turf Tracer S-Series Parts

Walk Behind Mower - Model TTS481GKA48300 with 48in
Deck
48in Deck



All original equipment manufacturers names and part numbers are used for identification purposes only, and we are in no way implying that our products are original equipment parts. Prices subject to change without notice.



Replaces Exmark Turf Tracer S-Series Parts

Walk Behind Mower - Model TTS481GKA48300 with 48in
Deck
48in Deck



Item No	R&R Part No.	OEM Part No.	Description	Qty Req	Order Quantity
---------	--------------	--------------	-------------	---------	----------------

Rotary Blades

1	R103-6401	103-6401	Mower Blade- Notched 16 1/4	3	
1	RRB3062-1601	103-6401, 103-6401-S	Mower Blade - High-Lift 16.25 x 2.5in x 15/16 Mt Hole	3	
<i>Detail Description: R&R Products rotary blades are manufactured in the USA with superior alloy steel and hardened for extended life. Lifetime guaranteed against defects in material and workmanship.:</i>					
2	R103-6386	103-6386	Mower Blade - 16-1/4 Low Lift	3	
3	RRB4062-1601	116-5177, 116-5177-S	Mower Blade - Mulcher 16.25 x 2.5in x 15/16 Mt Hole	3	
4	RRB5360-1608	103-6391, 103-6391-S	Mower Blade - Wave Mulcher 16.25 x 2.5in x 15/16 Mt Hole	3	

Other Parts Available

40	R116-3344	116-3344	Spindle Housing Assy	3	
41	R126-9196	126-9196	Idler Pulley - Flat	1	
42	R103-8415	103-8415	Roller - Anti Scalp	4	
43	R116-9981	116-9981	Kit - Anti-Scalp Roller	4	
44	R103-3037	103-3037	Splined Bushing	3	
45	R103-3504	103-3504	Bearing - Spherical	2	
46	R106-7159	106-7159	O-Ring	2	
47	R116-8131	116-8131	Axle - Roller	4	
48	R116-0720	116-0720	Bearing - Ball - Special Triple Seal	6	
50	R3231-40	3231-40	Bolt - Carriage 3/8-16 x 2 1/4	2	
51	R116-4669	116-4669	Idler Pulley - Flat	2	

All original equipment manufacturers names and part numbers are used for identification purposes only, and we are in no way implying that our products are original equipment parts. Prices subject to change without notice.



Replaces Exmark Turf Tracer S-Series Parts

Walk Behind Mower - Model TTS481GKA48300 with 48in
Deck
48in Deck



Item No	R&R Part No.	OEM Part No.	Description	Qty Req	Order Quantity
<i>Tech Note: Fits 2018 and earlier years:</i>					
51	R126-9197	126-9197	Pulley - Idler - Flat 5.00 x 1.31	2	
52	R98-5975	98-5975	Washer - Belleville	4	
53	R116-6317	116-0133, 116-6317	Spring - Extension	1	
54	R104-8301	104-8301, 109-6658	Locknut - 3/8-16 Nylon Flanged	22	
55	R116-7306	116-7306	Hex Nut - 3/4-16 with Nyloc	3	
57	R32128-19	104-8301, 32128-19	Locknut - 3/8-16 Flanged Top Lock	2	
58	R400264	323-29, 323-7	Bolt - Hex HD 3/8-16 x 1-1/4	1	
61	R116-9362	116-9362	Bolt - Hex HD 3/8-16 x 3 3/4 GR8 YZ	4	
62	R109-9220	109-9220	Bolt - Sems 1/2-20	3	
65	R282-2	1-303105	Yoke	2	
66	R103-3060	103-3060	Knob - Tracking	1	
67	R1-323245	1-323245	Spring - Compression	1	
68	R3219-2	3219-2	Nut - 5/16-24 Zinc	7	
69	R3220-2	3220-2	Nut - Jam - 5/16-24	2	
70	R453009	3256-2, 3256-3, 3256-67	Washer - Flat 5/16 SAE	9	
71	R1-603903	1-603903	Spacer	1	
72	R1-323539	1-323539	Spacer	2	

All original equipment manufacturers names and part numbers are used for identification purposes only, and we are in no way implying that our products are original equipment parts. Prices subject to change without notice.



Replaces Exmark Turf Tracer S-Series Parts

*Walk Behind Mower - Model TTS481GKA48300 with 48in
Deck
48in Deck*



Item No	R&R Part No.	OEM Part No.	Description	Qty Req	Order Quantity
73	R3220-3	3220-3	Nut - Jam Ball Joint	2	
74	R103-3505	103-3505	Seal - Double Lip	1	
75	R103-3506	103-3506	Seal - Single Lip	1	

All original equipment manufacturers names and part numbers are used for identification purposes only, and we are in no way implying that our products are original equipment parts. Prices subject to change without notice.